

Axialeinstiche in Zapfen

Geeignet ab Bohrungsdurchmesser 12,0 mm.

Face Grooving on Pivots

For use in bores as of minimum bore diameter 12,0 mm.

Schnittwerte (Start) // Cutting parameters (start)	
f	Vc
0,02 mm/U	Seite/Page 442

Passende Klemmhalter auf Seite // Suitable toolholders on page
182, 183, 184

SP HM **Legende Legend 238**

Scan QR-Code Oder besuchen Sie // Or Visit www.simtek.info/cp/832

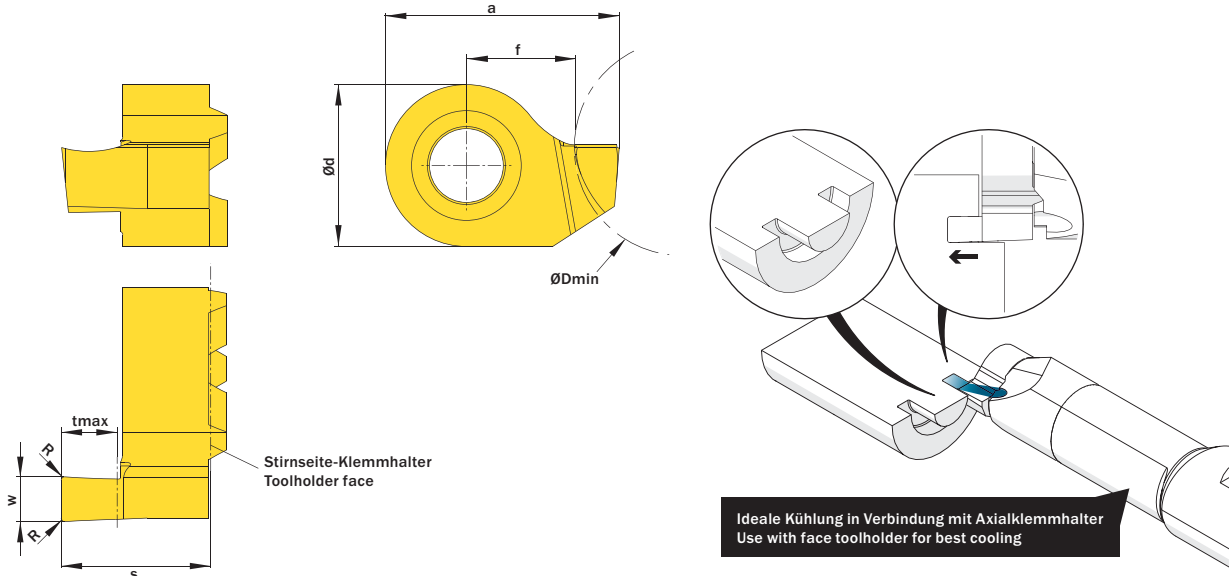


Abbildung zeigt / Drawing shows: D14.1225.02 AR

ØDmin (Min. Bohrung) ØDmin (min. bore)	w +0,03	R	tmax	Artikelnummer Part number	Webcode www.simtek.com/webcode	Empfohlene Schneidstoffe Recommended cutting grades	a	Ød	f	S	Connectcode www.simtek.com/code
mm	mm	mm	mm			P K M N S H O	mm	mm	mm	mm	
▼ tmax = 1,5 mm											
12,0	1,0	-	1,5	D14.1210.00 AR/L	R ABWS L AJFU	X800 X400 X600 GX79 X500 X400	11,5	9,0	6,0	8,3	R D14.A.R L D14.A.L
12,0	1,168	-	1,5	D14.1211.00 AR/L	R AN2V L AK7A	X800 X400 X600 GX79 X500 X400	11,67	9,0	6,0	8,3	R D14.A.R L D14.A.L inch
▼ tmax = 2,5 mm											
12,0	1,5	0,2	2,5	D14.1215.02 AR/L	R APSE L AAPS	X800 X400 X600 GX79 X500 X400	12,0	9,0	6,0	8,3	R D14.A.R L D14.A.L
12,0	1,6	0,2	2,5	D14.1216.02 AR/L	R ANAD L AMU8	X800 X400 X600 GX79 X500 X400	12,1	9,0	6,0	8,3	R D14.A.R L D14.A.L
12,0	1,575	0,2	2,5	D14.1216.020 AL	A7SX	X800 X400 X600 GX79 X500 X400	12,07	9,0	6,0	8,3	D14.A.L new inch
▼ tmax = 3,0 mm											
12,0	1,981	0,2	3,0	D14.1219.02 AR/L	R A1AY L A1AX	X800 X400 X600 GX79 X500 X400	12,48	9,0	6,0	8,3	R D14.A.R L D14.A.L inch
12,0	2,0	0,2	3,0	D14.1220.02 AR/L	R AC8D L AE18	X800 X400 X600 GX79 X500 X400	12,5	9,0	6,0	8,3	R D14.A.R L D14.A.L
12,0	2,388	0,2	3,0	D14.1224.02 AR/L	R AKEX L AFYK	X800 X400 X600 GX79 X500 X400	12,9	9,0	6,0	8,3	R D14.A.R L D14.A.L inch
12,0	2,5	0,2	3,0	D14.1225.02 AR/L	R AGWW L AEK9	X800 X400 X600 GX79 X500 X400	13,0	9,0	6,0	8,3	R D14.A.R L D14.A.L
12,0	3,0	0,2	3,0	D14.1230.02 AR/L	R AE7M L AMQB	X800 X400 X600 GX79 X500 X400	13,5	9,0	6,0	8,3	R D14.A.R L D14.A.L
12,0	3,175	0,2	3,0	D14.1232.02 AR/L	R AEWC L AJFT	X800 X400 X600 GX79 X500 X400	13,68	9,0	6,0	8,3	R D14.A.R L D14.A.L inch
▼ tmax = 5,0 mm											
12,0	2,0	0,2	5,0	D14.1220.52 AR/L	R ADJN L AMVV	X800 X400 X600 GX79 X500 X400	12,5	9,0	6,0	10,3	R D14.A.R L D14.A.L
12,0	2,388	0,2	5,0	D14.1224.52 AR/L	R AGNN L ADHM	X800 X400 X600 GX79 X500 X400	12,9	9,0	6,0	10,3	R D14.A.R L D14.A.L inch
12,0	2,5	0,2	5,0	D14.1225.52 AR/L	R AF2H L AHXS	X800 X400 X600 GX79 X500 X400	13,0	9,0	6,0	10,3	R D14.A.R L D14.A.L
12,0	3,0	0,2	5,0	D14.1230.52 AR/L	R AKFF L AP2M	X800 X400 X600 GX79 X500 X400	13,5	9,0	6,0	10,3	R D14.A.R L D14.A.L
12,0	3,175	0,2	5,0	D14.1232.52 AR/L	R AMPY L AN1Y	X800 X400 X600 GX79 X500 X400	13,68	9,0	6,0	10,3	R D14.A.R L D14.A.L inch
▼ tmax = 6,0 mm											
12,0	3,0	0,2	6,0	D14.1230.62 AR	AAKH	X800 X400 X600 GX79 X500 X400	13,5	9,0	6,0	11,3	D14.A.R
▼ tmax = 10,0 mm											
16,0	3,0	0,2	10,0	D18.1630.10.02 AR/L	R AT1G L AVSW	X800 X400 X600 GX79 X500 X400	16,5	11,0	8,0	15,8	R D18.16.A.R L D18.16.A.L
16,0	4,0	0,2	10,0	D18.1640.10.02 AR/L	R AT1H L AVSV	X800 X400 X600 GX79 X500 X400	17,5	11,0	8,0	15,8	R D18.16.A.R L D18.16.A.L

Bestellbeispiel // Order example: **D14.1215.02 AR X800** (R = Rechte Ausführung // Right hand version, X800 = Schneidstoff // Grade)

simturn AX
simturn DX
simturn PX
simturn H2
simturn K2
simturn GX
simturn E3
simturn E12
simturn FX
simturn Decolletage
simturn OA
Index