

Klemmhalter für konventionelles Nutstoßen

Geeignet für das konventionelle Nutstoßen von Standard- und Sonderprofilen auf geeigneten CNC-Maschinen.

Toolholder for conventional broaching

For conventional broaching of standard and special profiles on capable CNC-machines.

Anzugsmoment (Schraube) // Tightening torque (screw)

6,0 Nm

Vergleichbare Werkzeuge auf Seite // Similar tools on page
698

Bitte Hinweise im Anhang beachten // Please read add. notes

MASTER (Seite/Page 762), Wichtige Hinweise // Important hints (Seite/Page 763)

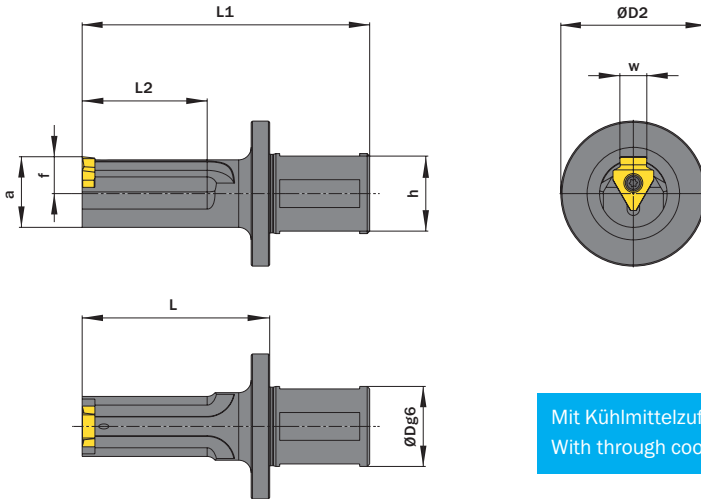


Legende
Legend **764**



Scan
QR-Code

Oder besuchen Sie // Or Visit
www.simtek.info/cp/145



Mit Kühlmittelzufuhr
With through coolant supply

Abbildung zeigt / Drawing shows: F39.10.50.32

w	L2	ØDg6	Artikelnummer Part number	Webcode www.simtek.com/webcode	a	ØDmin (Min. Bohrung) ØDmin (min. bore)	ØD2	f	h	L	L1	Schraube Screw	Schraubenschlüssel Screw driver	Connectcode www.simtek.com/code
mm	mm	mm			mm	mm	mm	mm	mm	mm	mm			
▼ w = 6,0 mm														
6,0	50,0	25,0	F39.06.50.25	ATYV	20,3	22,0	50,0	10,5	23,0	75,0	115,0	ASCC	T20R	BF12.06
6,0	70,0	25,0	F39.06.70.25	ATYU	20,3	22,0	50,0	10,5	23,0	95,0	135,0	ASCC	T20R	BF12.06
▼ w = 8,0 mm														
8,0	50,0	25,0	F39.08.50.25	AJ0D	20,3	22,0	50,0	10,5	23,0	75,0	115,0	ASCC	T20R	BF12.08
8,0	50,8	25,4	F39.08.51.1.000	A1EC	20,3	22,0	50,0	10,5	23,4	75,0	115,0	ASCC	T20R	BF12.08 <small>Inch</small>
8,0	75,0	25,0	F39.08.75.25	AUGC	20,3	22,0	50,0	10,5	23,0	100,0	140,0	ASCC	T20R	BF12.08
8,0	76,2	25,4	F39.08.76.1.000	A4TT	20,3	22,0	50,0	10,5	23,4	100,0	140,0	ASCC	T20R	BF12.08 <small>Inch</small>
▼ w = 10,0 mm														
10,0	100,0	32,0	F39.10.10.32	A0ZQ	28,5	30,0	58,0	14,75	30,0	125,0	185,0	ASCC	T20R	BF12.10
10,0	50,0	32,0	F39.10.50.32	AKJG	28,5	30,0	58,0	14,75	30,0	75,0	115,0	ASCC	T20R	BF12.10
10,0	50,8	31,75	F39.10.51.1.250	A1ED	28,5	30,0	58,0	14,75	30,0	75,0	115,0	ASCC	T20R	BF12.10 <small>Inch</small>
10,0	75,0	32,0	F39.10.75.32	ANWV	28,5	30,0	58,0	14,75	30,0	100,0	140,0	ASCC	T20R	BF12.10
10,0	76,2	31,75	F39.10.76.1.250	A1EE	28,5	30,0	58,0	14,75	29,75	100,0	140,0	ASCC	T20R	BF12.10 <small>Inch</small>
▼ w = 12,0 mm														
12,0	100,0	32,0	F39.12.10.32	A0ZP	36,0	38,0	58,0	18,5	30,0	125,0	185,0	ASCC	T20R	BF12.12
12,0	50,0	32,0	F39.12.50.32	AHNB	36,0	38,0	58,0	18,5	30,0	75,0	115,0	ASCC	T20R	BF12.12
12,0	75,0	32,0	F39.12.75.32	AFT7	36,0	38,0	58,0	18,5	30,0	100,0	140,0	ASCC	T20R	BF12.12
12,0	76,2	31,75	F39.12.76.1.250	A1EF	36,0	38,0	58,0	18,5	29,75	100,0	140,0	ASCC	T20R	BF12.12 <small>Inch</small>
▼ w = 16,0 mm														
16,0	125,0	32,0	F39.16.12.32	A63D	46,0	50,0	60,0	23,5	31,0	150,0	225,0	ASCC	T20R	BF12.16

Bestellbeispiel // Order example: **F39.12.10.32**

Eine Umschlüsselungliste von **Webcode zu Schrauben bzw. Spannmuttern** finden Sie auf Seite **766**.
A conversion list from **webcode to screws as well as standard screw nuts** can be found on page **766**.