

Axialstechen in Bohrungen

Volle Stechtiefe ab Bohrungsdurchmesser 20,0 mm. Reduzierte Stechtiefe bereits ab Bohrungsdurchmesser 12,0 mm.

Face Grooving in Bores

Full cutting depth as of minimum bore diameter 20,0 mm. Reduced cutting depth possible as of minimum bore diameter 12,0 mm.

Schnittwerte (Start) // Cutting parameters (start)

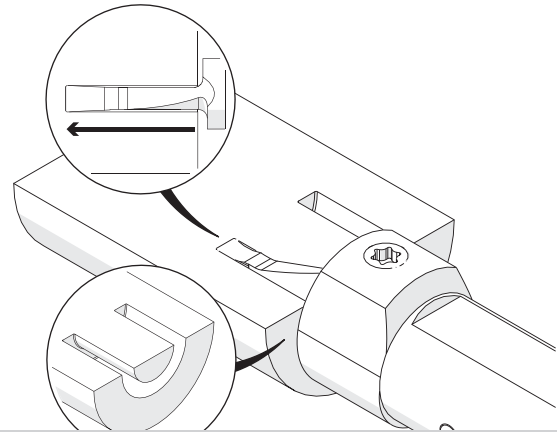
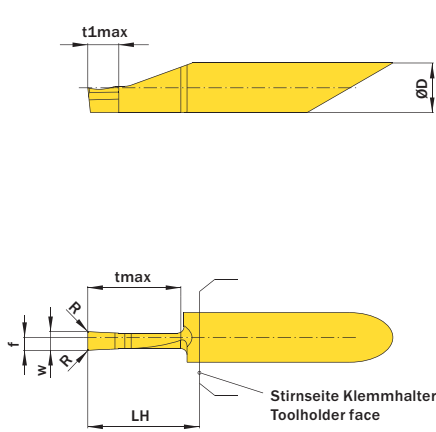
f	Vc
0,02 mm/U	(Seite/Page 442)

Passende Klemmhalter auf Seite // Suitable toolholders on page
44, 53, 62, 66, 67, 72

SP **HM** **R**

Legende Legend **155**

Scan QR-Code Oder besuchen Sie // Or Visit www.simtek.info/cp/762



Stechtiefe „tmax“ gilt ab Bohrungsdurchmesser gem. Angabe in Spalte „Ab Bohrungsdurchmesser“
Stechtiefe „t1max“ gilt ab Bohrungsdurchmesser gem. Angabe in Spalte „D1min“
Cutting depth „tmax“ is possible as of bore diameter as stated in column „As of bore diameter“
Cutting depth „t1max“ is possible as of bore diameter as stated in column „D1min“

Abbildung zeigt / Drawing shows: A08.0300.15.00 AG R

Mehr Informationen zur Kühlmittelzufuhr finden Sie auf Seite 36
Additional information about through coolant supply on page 36

ØD	w ^{+0,05}	tmax	Kühlmittelzufuhr Through coolant supply	Artikelnummer Part number	Webcode www.simtek.com/webcode	Empfohlene Schneidstoffe Recommended cutting grades You can find current availability and prices on www.simtek.com/webcode	ØDmin (Min. Bohrung) ØDmin (min. bore)	t1max	D1min	f	LH	R	Connectcode www.simtek.com/ccode			
													P	K	M	N
▼ w = 3,0 mm																
10,0	3,0	20,0	+	A10.0300.20.00 AG R/L	R AAUC L ABVX	X800 X400 X600 GX79 X500 X400	20,0	5,0	12,0	2,07	28,0	0,2	R	A10.R	L	A10.L
10,0	3,0	25,0	+	A10.0300.25.00 AG R/L	R AENK L AEYQ	X800 X400 X600 GX79 X500 X400	20,0	5,0	12,0	2,07	33,0	0,2	R	A10.R	L	A10.L
10,0	3,0	30,0	+	A10.0300.30.00 AG R/L	R AP2X L APZ8	X800 X400 X600 GX79 X500 X400	20,0	5,0	12,0	2,07	38,0	0,2	R	A10.R	L	A10.L
▼ w = 4,0 mm																
10,0	4,0	20,0	+	A10.0400.20.00 AG R/L	R AMDH L AJPZ	X800 X400 X600 GX79 X500 X400	20,0	5,0	12,0	2,65	28,0	0,2	R	A10.R	L	A10.L
10,0	4,0	25,0	+	A10.0400.25.00 AG R/L	R AMKB L AME8	X800 X400 X600 GX79 X500 X400	20,0	5,0	12,0	2,65	33,0	0,2	R	A10.R	L	A10.L
10,0	4,0	30,0	+	A10.0400.30.00 AG R/L	R AKHQ L AB12	X800 X400 X600 GX79 X500 X400	20,0	5,0	12,0	2,65	38,0	0,2	R	A10.R	L	A10.L
▼ w = 5,0 mm																
10,0	5,0	20,0	+	A10.0500.20.00 AG R/L	R AKXP L AAXF	X800 X400 X600 GX79 X500 X400	20,0	5,0	12,0	3,1	28,0	0,2	R	A10.R	L	A10.L
10,0	5,0	25,0	+	A10.0500.25.00 AG R/L	R AA6G L AH2U	X800 X400 X600 GX79 X500 X400	20,0	5,0	12,0	3,1	33,0	0,2	R	A10.R	L	A10.L
10,0	5,0	30,0	+	A10.0500.30.00 AG R/L	R AFJH L AN46	X800 X400 X600 GX79 X500 X400	20,0	5,0	12,0	3,1	38,0	0,2	R	A10.R	L	A10.L

Bestellbeispiel // Order example: A10.0300.20.00 AG R X800 (R = Rechte Ausführung // Right hand version, X800 = Schneidstoff // Grade)