

Fräsen von Scheibenfedernuten

Fräsen von Scheibenfedernuten (DIN6888). Aufnahme nach DIN 6535 HA und DIN 1835 A.

Keyway milling

Keyway milling according to DIN6888. Shank according to DIN 6535 HA and DIN 1835 A.

Schnittwerte (Start) // Cutting parameters (Start)		
fzm	hmax	Vc
0,02 mm	0,03 mm	Seite/Page 671

Bitte Hinweise im Anhang beachten // Please read add. notes
ALL (Seite/Page 678), H07 (Seite/Page 682)

SP Legende
HM Legend

683

Scan QR-Code Oder besuchen Sie // Or Visit www.simtek.info/cp/304

Weldon-Aufnahme auf Anfrage erhältlich.
 Weldon fixation available upon request.

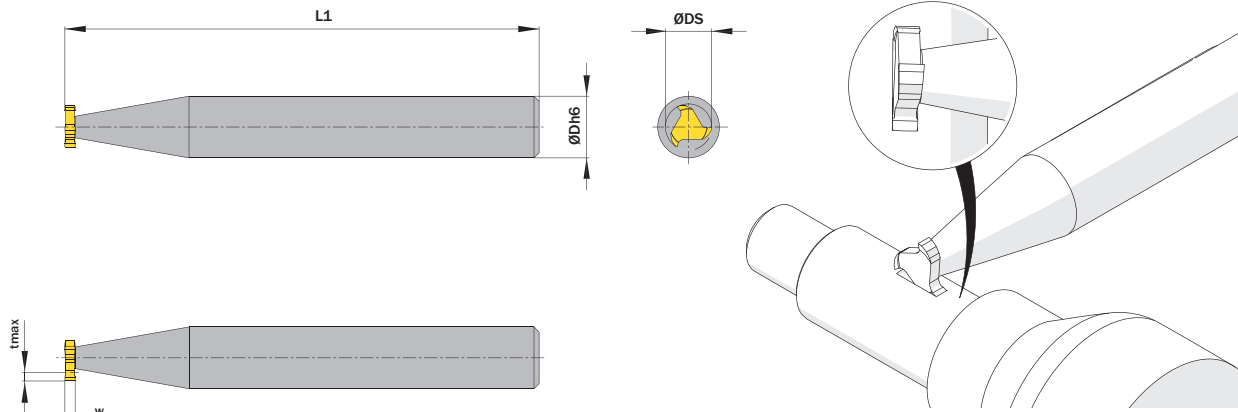


Illustration zeigt beispielhafte Anwendungsmöglichkeit mit ähnlichem Werkzeug.
 Image shows exemplary application possibility with similar tool.

Abbildung zeigt / Drawing shows: MA3.100.09.06.00 AS

w ^{e8}	ØDS	ØDh6	Artikelnummer Part number	Webcode www.simtek.com/webcode	Empfohlene Schneidstoffe Tagesaktuelle Verfügbarkeit und Preise finden Sie auf www.simtek.com/webcode Recommended cutting grades You can find current availability and prices on www.simtek.com/webcode	ZEFP	L1	tmax	Aufnahme nach Shank according to	Connectcode www.simtek.com/code
mm	mm	mm			P N M K S H O		mm	mm		
▼ ØDS = 4,5 mm										
1,0	4,5	6,0	MA3.100.04.06.00 AS	AK0Y	X800 X510 G142 X510 X400	3	50,0	1,0	DIN 6535 HA	-
▼ ØDS = 7,5 mm										
1,5	7,5	8,0	MA3.150.07.08.00 AS	ANPA	X800 X510 G142 X510 X400	3	50,0	2,0	DIN 6535 HA	-
2,0	7,5	8,0	MA3.200.07.08.00 AS	AK6Z	X800 X510 G142 X510 X400	3	50,0	1,8	DIN 6535 HA	-
▼ ØDS = 10,5 mm										
2,0	10,5	12,0	MA3.200.10.12.00 AS	AEH6	X800 X510 G142 X510 X400	3	60,0	2,9	DIN 6535 HA	-
2,5	10,5	12,0	MA3.250.10.12.00 AS	ACMK	X800 X510 G142 X510 X400	3	60,0	2,9	DIN 6535 HA	-
3,0	10,5	12,0	MA3.300.10.12.00 AS	AM42	X800 X510 G142 X510 X400	3	60,0	2,5	DIN 6535 HA	-
▼ ØDS = 13,5 mm										
3,0	13,5	16,0	MA3.300.13.16.00 AS	AF2J	X800 X510 G142 X510 X400	3	70,0	3,8	DIN 1835 A	-
4,0	13,5	16,0	MA3.400.13.16.00 AS	AE01	X800 X510 G142 X510 X400	3	70,0	3,5	DIN 1835 A	-
▼ ØDS = 16,5 mm										
3,0	16,5	16,0	MA3.300.16.16.00 AS	ADT5	X800 X510 G142 X510 X400	3	70,0	5,3	DIN 1835 A	-
4,0	16,5	16,0	MA3.400.16.16.00 AS	AJXW	X800 X510 G142 X510 X400	3	70,0	5,0	DIN 1835 A	-
5,0	16,5	16,0	MA3.500.16.16.00 AS	AGA J	X800 X510 G142 X510 X400	3	70,0	4,5	DIN 1835 A	-
▼ ØDS = 19,5 mm										
4,0	19,5	16,0	MA3.400.19.16.00 AS	ANKE	X800 X510 G142 X510 X400	3	70,0	6,0	DIN 1835 A	-
5,0	19,5	16,0	MA3.500.19.16.00 AS	AM0X	X800 X510 G142 X510 X400	3	70,0	5,5	DIN 1835 A	-
6,0	19,5	16,0	MA3.600.19.16.00 AS	AB59	X800 X510 G142 X510 X400	3	70,0	5,1	DIN 1835 A	-
▼ ØDS = 22,5 mm										
5,0	22,5	16,0	MA3.500.22.16.00 AS	ANVG	X800 X510 G142 X510 X400	3	70,0	7,0	DIN 1835 A	-
6,0	22,5	16,0	MA3.600.22.16.00 AS	AHC5	X800 X510 G142 X510 X400	3	70,0	6,6	DIN 1835 A	-
8,0	22,5	16,0	MA3.800.22.16.00 AS	ADG7	X800 X510 G142 X510 X400	3	70,0	6,2	DIN 1835 A	-
▼ ØDS = 25,5 mm										
6,0	25,5	16,0	MA3.600.25.16.00 AS	AH8A	X800 X510 G142 X510 X400	3	70,0	7,6	DIN 1835 A	-

Bestellbeispiel // Order example: **MA3.150.07.08.00 AS X800** (X800 = Schneidstoff // Grade)