

Allgemeines Nutfräsen, für weiche Schnitte

Nutfräsen gerader Nutformen. Optimierter Rund- und Planlauf sowie höchste Stabilität dank geschliffener Verzahnung.

General Groove Milling, for smooth cuts

General groove milling. Optimized axial and radial runout as well as highest stability thanks to ground interface.

Schnittwerte (Start) // Cutting parameters (start)

| | | |
|-----------------------|------------------------|-----------------------------|
| fzm 0,03 mm | hmax 0,04 mm | Vc Seite/Page 671 |
|-----------------------|------------------------|-----------------------------|

Passende Klemmhalter auf Seite // Suitable toolholders on page **615**

Bitte Hinweise im Anhang beachten // Please read add. notes

ALL (Seite/Page 678), H01 (Seite/Page 679), H05 (Seite/Page 681), H07 (Seite/Page 682)



SP Legende
HM Legend

683



Scan
QR-Code

Oder besuchen Sie // Or Visit
www.simtek.info/cp/1315

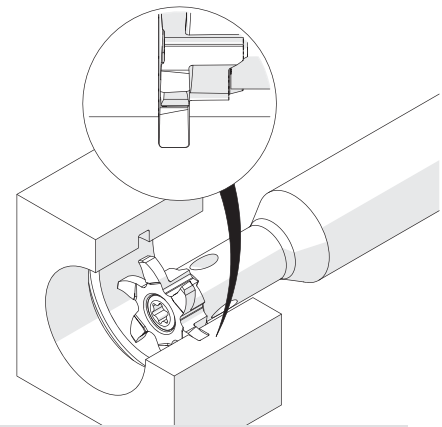
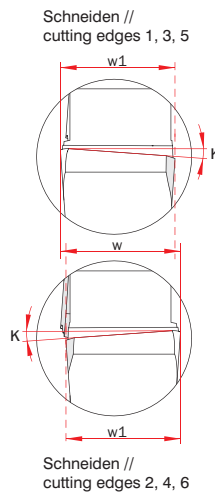
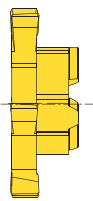
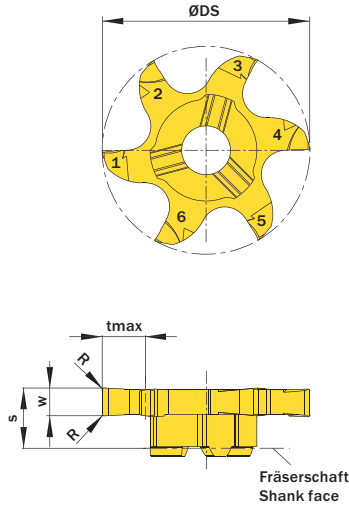


Illustration zeigt beispielhafte Anwendungsmöglichkeit mit ähnlichem Werkzeug.
Image shows exemplary application possibility with similar tool.

Abbildung zeigt / Drawing shows: V06.0300.020.22 GY

| w ^{+0,02} | Nutnenbreite Nominal width of groove | R | ØDmin (Min. Bohrung) ØDmin (min. bore) | Artikelnummer Part number | Webcode www.simtek.com/webcode | Empfohlene Schneidstoffe Recommended cutting grades | tmax | w1 | S | ØDS | ZEFP | Connectcode www.simtek.com/code | |
|--|--|-----|---|------------------------------|-----------------------------------|--|------|-----|-----|------|------|------------------------------------|------------|
| mm | mm | mm | mm | | | P N M K S H O | mm | mm | mm | mm | | | |
| ▼ ØDmin (Min. Bohrung) // ØDmin (min. bore) = 28,0 mm | | | | | | | | | | | | | |
| 1,0 | - | 0,1 | 28,0 | 4V6.0100.010.28 GY | A3GK | X800 X500 GT42 X500 X400 | 6,5 | 0,9 | 6,0 | 27,7 | 6 | 4VOD14.3 | new |
| 1,5 | - | 0,1 | 28,0 | 4V6.0150.010.28 GY | A3GN | X800 X500 GT42 X500 X400 | 6,5 | 1,4 | 6,4 | 27,7 | 6 | 4VOD14.3 | new |
| 2,0 | - | 0,2 | 28,0 | 4V6.0200.020.28 GY | A3GQ | X800 X500 GT42 X500 X400 | 6,5 | 1,9 | 6,4 | 27,7 | 6 | 4VOD14.3 | new |
| 3,0 | - | 0,2 | 28,0 | 4V6.0300.020.28 GY | A3GT | X800 X500 GT42 X500 X400 | 6,5 | 2,9 | 6,4 | 27,7 | 6 | 4VOD14.3 | new |
| 4,0 | - | 0,2 | 28,0 | 4V6.0400.020.28 GY | A3GV | X800 X500 GT42 X500 X400 | 6,5 | 3,9 | 6,4 | 27,7 | 6 | 4VOD14.3 | new |
| 5,0 | - | 0,2 | 28,0 | 4V6.0500.020.28 GY | A3GX | X800 X500 GT42 X500 X400 | 6,5 | 4,9 | 6,4 | 27,7 | 6 | 4VOD14.3 | new |
| ▼ ØDmin (Min. Bohrung) // ØDmin (min. bore) = 35,0 mm | | | | | | | | | | | | | |
| 1,0 | - | 0,1 | 35,0 | 4V6.0100.010.35 GY | A3G1 | X800 X500 GT42 X500 X400 | 10,0 | 0,9 | 6,2 | 34,7 | 6 | 4VOD14.3 | new |
| 1,5 | - | 0,1 | 35,0 | 4V6.0150.010.35 GY | A3G3 | X800 X500 GT42 X500 X400 | 10,0 | 1,4 | 6,2 | 34,7 | 6 | 4VOD14.3 | new |
| 2,0 | - | 0,2 | 35,0 | 4V6.0200.020.35 GY | A3G7 | X800 X500 GT42 X500 X400 | 10,0 | 1,9 | 6,2 | 34,7 | 6 | 4VOD14.3 | new |
| 2,5 | - | 0,2 | 35,0 | 4V6.0250.020.35 GY | BDJU | X800 X500 GT42 X500 X400 | 10,0 | 2,4 | 6,2 | 34,7 | 6 | 4VOD14.3 | new |
| 3,0 | - | 0,2 | 35,0 | 4V6.0300.020.35 GY | A3HB | X800 X500 GT42 X500 X400 | 10,0 | 2,9 | 6,2 | 34,7 | 6 | 4VOD14.3 | new |
| 4,0 | - | 0,2 | 35,0 | 4V6.0400.020.35 GY | A3HF | X800 X500 GT42 X500 X400 | 10,0 | 3,9 | 6,2 | 34,7 | 6 | 4VOD14.3 | new |
| ▼ ØDmin (Min. Bohrung) // ØDmin (min. bore) = 37,0 mm | | | | | | | | | | | | | |
| 2,0 | - | 0,2 | 37,0 | 4V6.0200.020.37 GY | BD10 | X800 X500 GT42 X500 X400 | 12,0 | 1,9 | 6,4 | 36,7 | 6 | 4VOD12.0 | new |
| ▼ ØDmin (Min. Bohrung) // ØDmin (min. bore) = 40,0 mm | | | | | | | | | | | | | |
| 1,0 | - | 0,1 | 40,0 | 4V6.0100.010.40 GY | A3GZ | X800 X500 GT42 X500 X400 | 13,5 | 0,9 | 6,2 | 39,7 | 6 | 4VOD12.0 | new |
| 1,5 | - | 0,1 | 40,0 | 4V6.0150.010.40 GY | A3G5 | X800 X500 GT42 X500 X400 | 13,5 | 1,4 | 6,2 | 39,7 | 6 | 4VOD12.0 | new |
| 2,0 | - | 0,2 | 40,0 | 4V6.0200.020.40 GY | A3G9 | X800 X500 GT42 X500 X400 | 12,5 | 1,9 | 6,2 | 39,7 | 6 | 4VOD14.3 | new |
| 3,0 | - | 0,2 | 40,0 | 4V6.0300.020.40 GY | A3HD | X800 X500 GT42 X500 X400 | 12,5 | 2,9 | 6,2 | 39,7 | 6 | 4VOD14.3 | new |

Bestellbeispiel // Order example: **4V6.0200.020.37 GY X800** (X800 = Schneidstoff // Grade)