

Herstellen und Ausdrehen von Bohrungen

Schneideinsätze zum Herstellen und Ausdrehen von Bohrungen.
Kühlmittelzufuhr durch die Schneide für eine optimale Spanabfuhr.

Machining and boring of bores

Inserts for the machining and boring of bores. With coolant supply through the insert for an optimum chip evacuation.

Schnittwerte (Start) // Cutting parameters (start)	
f 0,02 mm/U	Vc (Seite/Page 442)

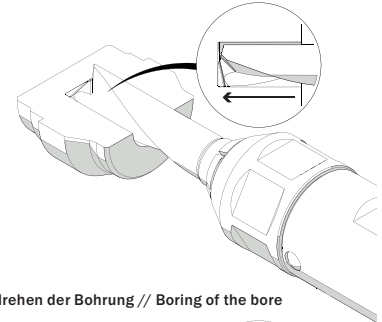
Passende Klemmhalter auf Seite // Suitable toolholders on page
47, 48, 49, 50, 51, 52, 55, 56, 57, 58, 59, 60, 61, 64, 65, 66, 67, 68, 72, 80, 81

Scan QR-Code

Oder besuchen Sie // Or Visit www.simtek.info/cp/1260

Legende Legend **155**

1 Herstellen der Bohrung // Machining of the bore



2 Ausdrehen der Bohrung // Boring of the bore

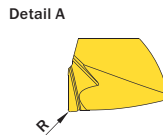
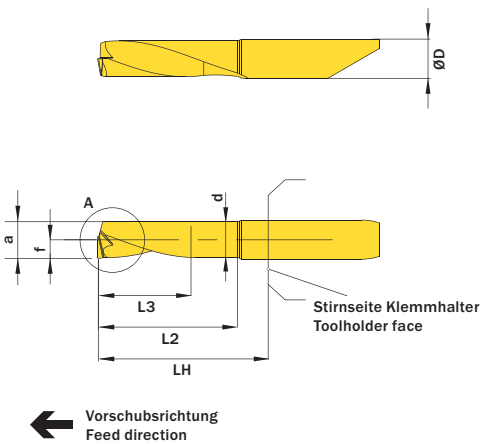
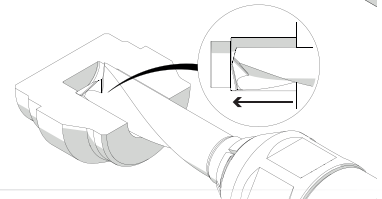


Abbildung zeigt / Drawing shows: A07.DB34.25.70.20 YR

Mehr Informationen zur Kühlmittelzufuhr finden Sie auf Seite 36
Additional information about through coolant supply on page 36

ØD	f	L2	R	Kühlmittelzufuhr Through coolant supply	Artikelnummer Part number	Webcode www.simtek.com/webcode	Empfohlene Schneidstoffe Recommended cutting grades				a	d	ØDCMIN	ØDCMAX	L3 (Max. Bohrungstiefe) L3 (max. depth of bore)	LH	Connectcode www.simtek.com/code		
mm	mm	mm	mm				P	K	M	N	S	H	O	mm	mm	mm	mm	mm	mm
▼ ØDCMAX = 4,0 mm																			
4,0	1,85	15,2	0,15	+	A04.DB19.15.40.15 YR	A04Y	X800	X400	GX79	X500	X400	3,55	3,4	3,7	4,0	10,0	18,0	A04T	
4,0	1,85	15,2	0,2	+	A04.DB19.15.40.20 YR	A038	X800	X400	GX79	X500	X400	3,55	3,4	3,7	4,0	10,0	18,0	A04T	
4,0	1,85	20,3	0,2	+	A04.DB19.20.40.20 YR	A039	X800	X400	GX79	X500	X400	3,55	3,4	3,7	4,0	15,0	23,0	A04T	
▼ ØDCMAX = 5,0 mm																			
5,0	2,35	15,2	0,2	+	A05.DB24.15.50.20 YR	A031	X800	X400	GX79	X500	X400	4,55	4,4	4,7	5,0	10,0	18,0	A05T	
5,0	2,35	20,3	0,2	+	A05.DB24.20.50.20 YR	A032	X800	X400	GX79	X500	X400	4,55	4,4	4,7	5,0	15,0	23,0	A05T	
5,0	2,35	25,4	0,2	+	A05.DB24.25.50.20 YR	A04K	X800	X400	GX79	X500	X400	4,55	4,4	4,7	5,0	20,0	28,0	A05T	
▼ ØDCMAX = 6,0 mm																			
6,0	2,85	15,2	0,2	+	A06.DB29.15.60.20 YR	A033	X800	X400	GX79	X500	X400	5,55	5,4	5,7	6,0	10,0	18,0	A06T	
6,0	2,85	20,3	0,2	+	A06.DB29.20.60.20 YR	A034	X800	X400	GX79	X500	X400	5,55	5,4	5,7	6,0	15,0	23,0	A06T	
6,0	2,85	25,4	0,2	+	A06.DB29.25.60.20 YR	A04H	X800	X400	GX79	X500	X400	5,55	5,4	5,7	6,0	20,0	28,0	A06T	
6,0	2,85	30,5	0,2	+	A06.DB29.30.60.20 YR	A04J	X800	X400	GX79	X500	X400	5,55	5,4	5,7	6,0	25,0	33,0	A06T	
▼ ØDCMAX = 7,0 mm																			
7,0	3,35	20,3	0,2	+	A07.DB34.20.70.20 YR	A035	X800	X400	GX79	X500	X400	6,55	6,4	6,7	7,0	15,0	23,0	A07T	
7,0	3,35	25,4	0,2	+	A07.DB34.25.70.20 YR	A036	X800	X400	GX79	X500	X400	6,55	6,4	6,7	7,0	20,0	28,0	A07T	
7,0	3,35	30,5	0,2	+	A07.DB34.30.70.20 YR	A037	X800	X400	GX79	X500	X400	6,55	6,4	6,7	7,0	25,0	33,0	A07T	
▼ ØDCMAX = 8,0 mm																			
8,0	3,85	20,3	0,2	+	A08.DB39.20.80.20 YR	A06W	X800	X400	GX79	X500	X400	7,55	7,4	7,7	8,0	15,0	23,0	A08T	
8,0	3,85	25,4	0,2	+	A08.DB39.25.80.20 YR	A04F	X800	X400	GX79	X500	X400	7,55	7,4	7,7	8,0	20,0	28,0	A08T	
8,0	3,85	30,5	0,2	+	A08.DB39.30.80.20 YR	A04G	X800	X400	GX79	X500	X400	7,55	7,4	7,7	8,0	25,0	33,0	A08T	

Bestellbeispiel // Order example: A08.DB39.20.80.20 YR X800 (R = Rechte Ausführung // Right hand version, X800 = Schneidstoff // Grade)