

Inquiry form cylindrical worm

It is our goal to offer you the best possible tooling solution for your manufacturing process. We therefore kindly ask you to fill out this inquiry form completely and to send it back to individual@simtek.com.

In case of questions regarding this inquiry form, please do not hesitate to contact our colleagues under +49 7473 9517 160 or via mail to individual@simtek.com.

Company

Contact person

Reference

Given dimensions are mm inch

- 1** Form of the flank ZI (ZE) ZA ZN ZK ZW ZC (ZH) Special profile
- 2** Number of teeth / threads: _____
- 3** Normal pressure angle: _____
- 4** Normal module Axial module _____
- 5** Helix angle Lead angle _____
- 6** Flank direction Right Left
- 7** Reference diameter: _____
- 8** Lead: _____
- 9** Tip diameter incl. tolerance: _____

10 Root diameter incl. tolerance: _____

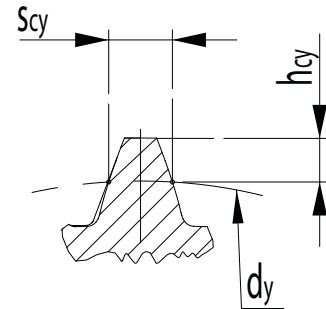
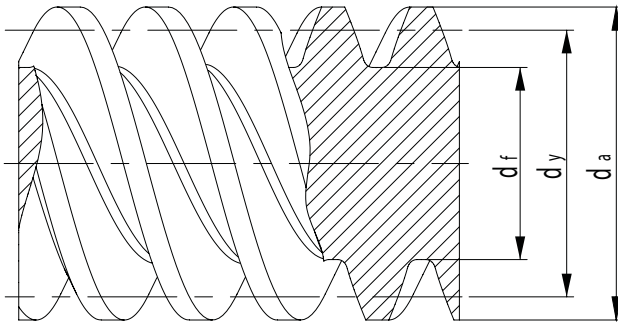
Alternative: Tooth depth: _____

11 Pin diameter: _____

Measurement over three pins incl. tolerance: _____

11.1 Alternative: Chordal height (h_{cy}): _____

Chordal tooth thickness (s_{cy}) incl. tolerance: _____



12 Tip form diameter min.: _____

13 Root form diameter max.: _____

14 Tip modification, description: _____

Sketch / Drawing Tip fillet radius min. / max. R: _____

15 Root modification, description: _____

Sketch / Drawing Root fillet radius min. / max. R: _____

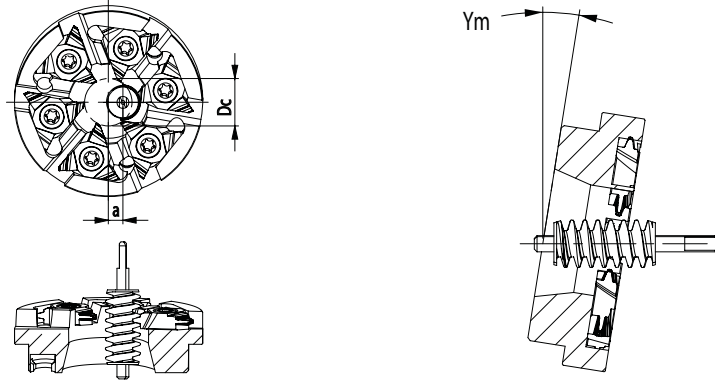
16 STEP-model of: Nominal dimension max. dimension mean dimension min. dimension

Filename: _____

Additional information for flank type W, worm ZW:

17 Cutting diameter D_c : _____

18 Center distance a : _____



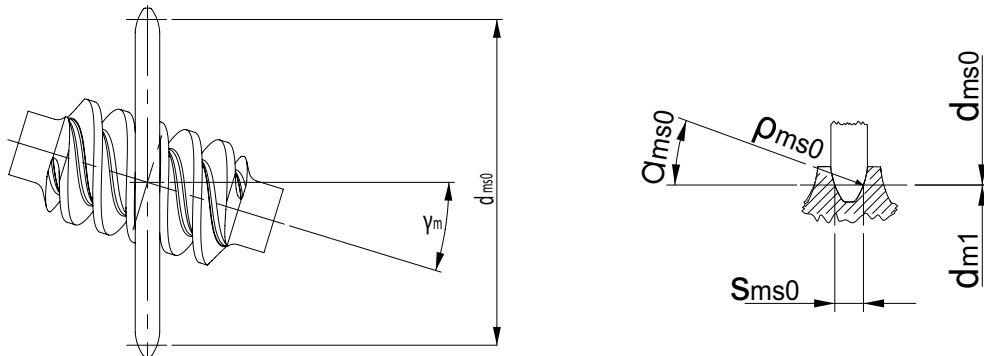
Additional information for flank type C, worm ZC:

19 Diameter d_{ms0} : _____

20 Grinding wheel thickness s_{ms0} : _____

21 Circular arc radius ρ_{ms0} : _____

22 Angle α_{ms0} : _____



23 Further important information regarding this inquiry and / or information on competitor: _____
